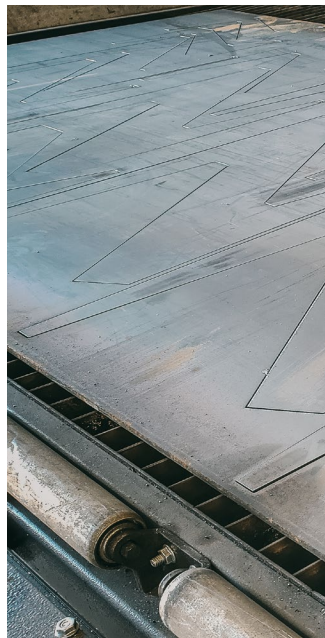


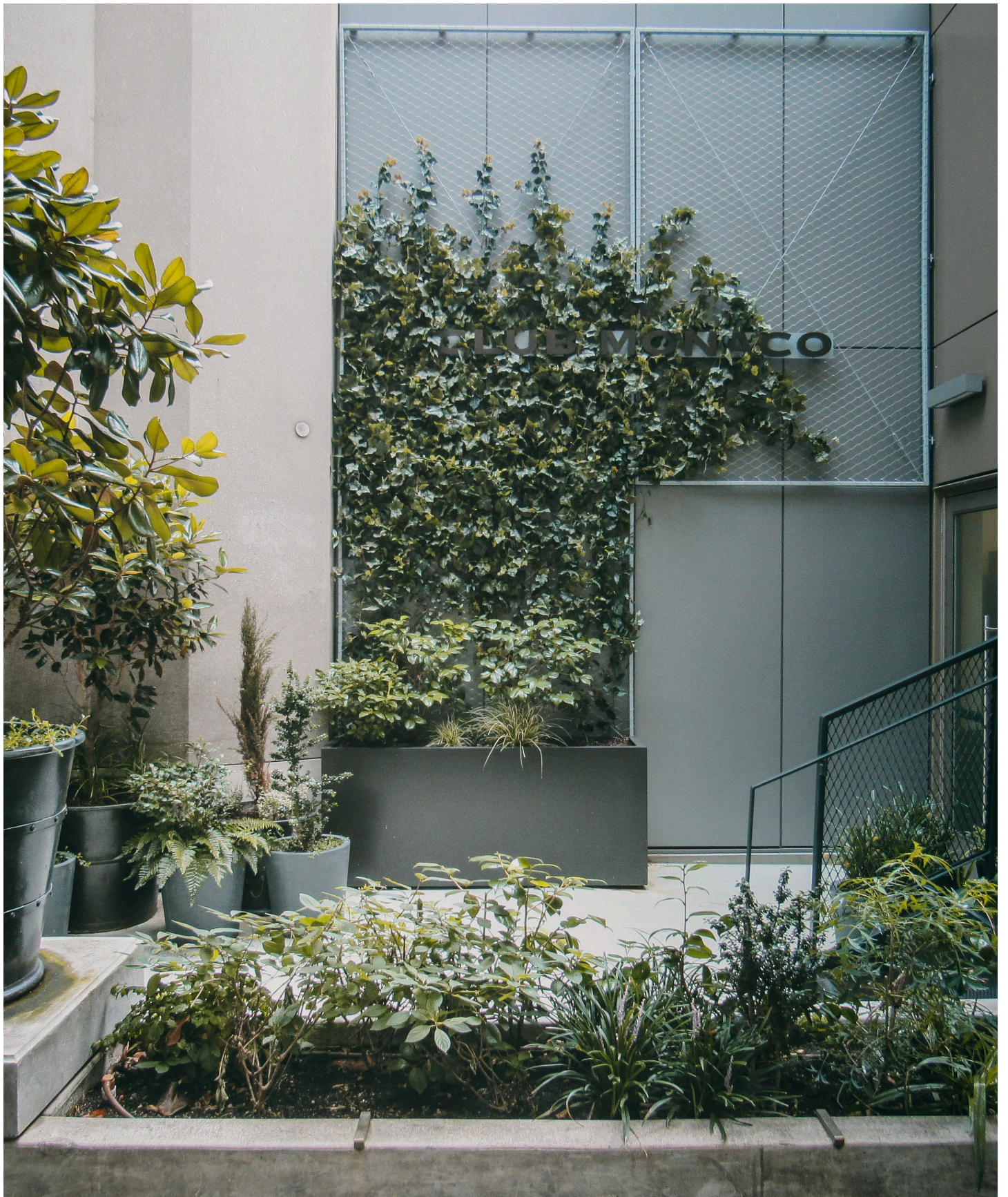


Architerra










Club Monaco / Seattle, WA

Contents

About Us	6
Recuro Bioretention Planters	8
Forma Planter System	14
Planters	20
Water Features	26
Decorative Screens	28
Features & Options	30
Design Styles	33
Material, Color Options, & Finishes	36
Ordering	37



A photograph of a wooden deck railing on the left and a dark mulch bed on the right, serving as a background for the text.

Architerra designs and fabricates landscape architectural solutions for improving your space and environment.

Finely Crafted

We build everything in-house with highly-skilled craftsmen to ensure we're delivering quality and beauty to satisfy the most discriminating clients.

Smart

We design solutions that address common challenges and enable simpler, cleaner installations.

Customizable

We collaborate with architects and installers to ensure our work integrates seamlessly with your plan.

Responsible

We believe we have an obligation to design products that improve the environment we live in. Our products contain up to 85% recycled content and are fully recyclable.

Reкуро Bioretention Planter

Protecting the environment is an essential responsibility of any landscape project. We believe in going one step further, designing a bioretention solution that complements the design of your space while actively improving the ecology that sustains it.

Smaller Footprint

Most bioretention solutions today are built from concrete, requiring walls at least eight inches thick in addition to the required bioretention footprint. Reкуро is built with .125" – .375"+ thick marine grade aluminum or weathering steel to allow for a significantly smaller footprint than concrete-based solutions. This smaller footprint means you can place more units, making it easier to exceed filtering guidelines.

Simple to Install

Concrete bioretention solutions can occupy large areas of your project with equipment for days at a time. Reкуро's aluminum or steel construction allows it to be installed by a small team in just a few hours.

Customizable

Reкуро's modular design and powder coated aluminum construction enables it to be customized to fit your specific space constraints and visual aesthetic.

Sustainable

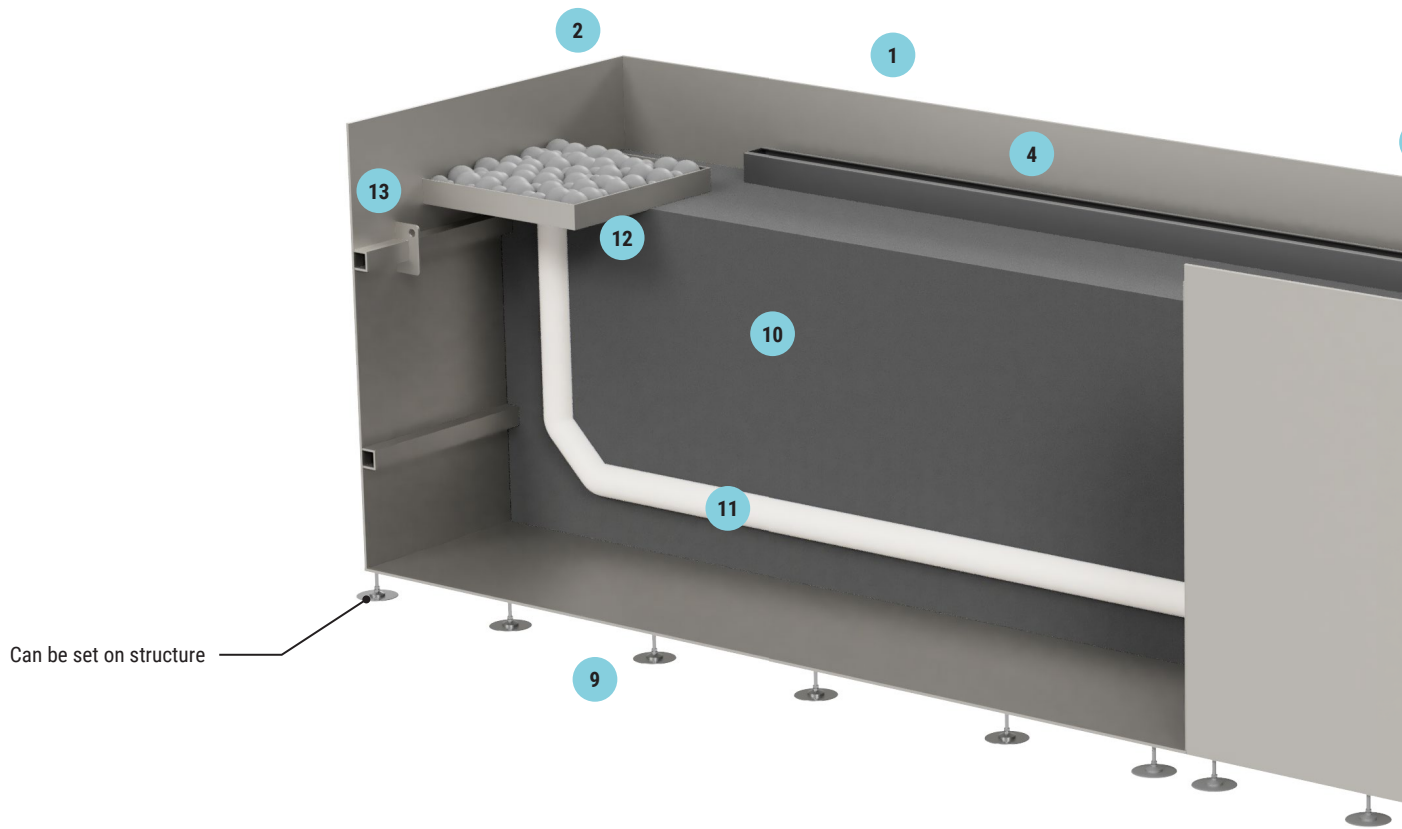
As part of our obligation to maximize the conservation of natural resources, Reкуро is made from 25-85%+ recycled content and is fully recyclable. We also ensure there's a transparent chain of custody back to the raw material source. In an effort to reduce or eliminate the usage of hazardous materials, Reкуро is RoHS 3 compliant, and we only use coatings with low to no VOC emissions.

Approved

Reкуро is designed to be compatible with several types of filter soils and media to meet requirements across multiple municipalities. Reкуро is approved for use by the Washington State Department of Ecology as a functional equivalent technology.

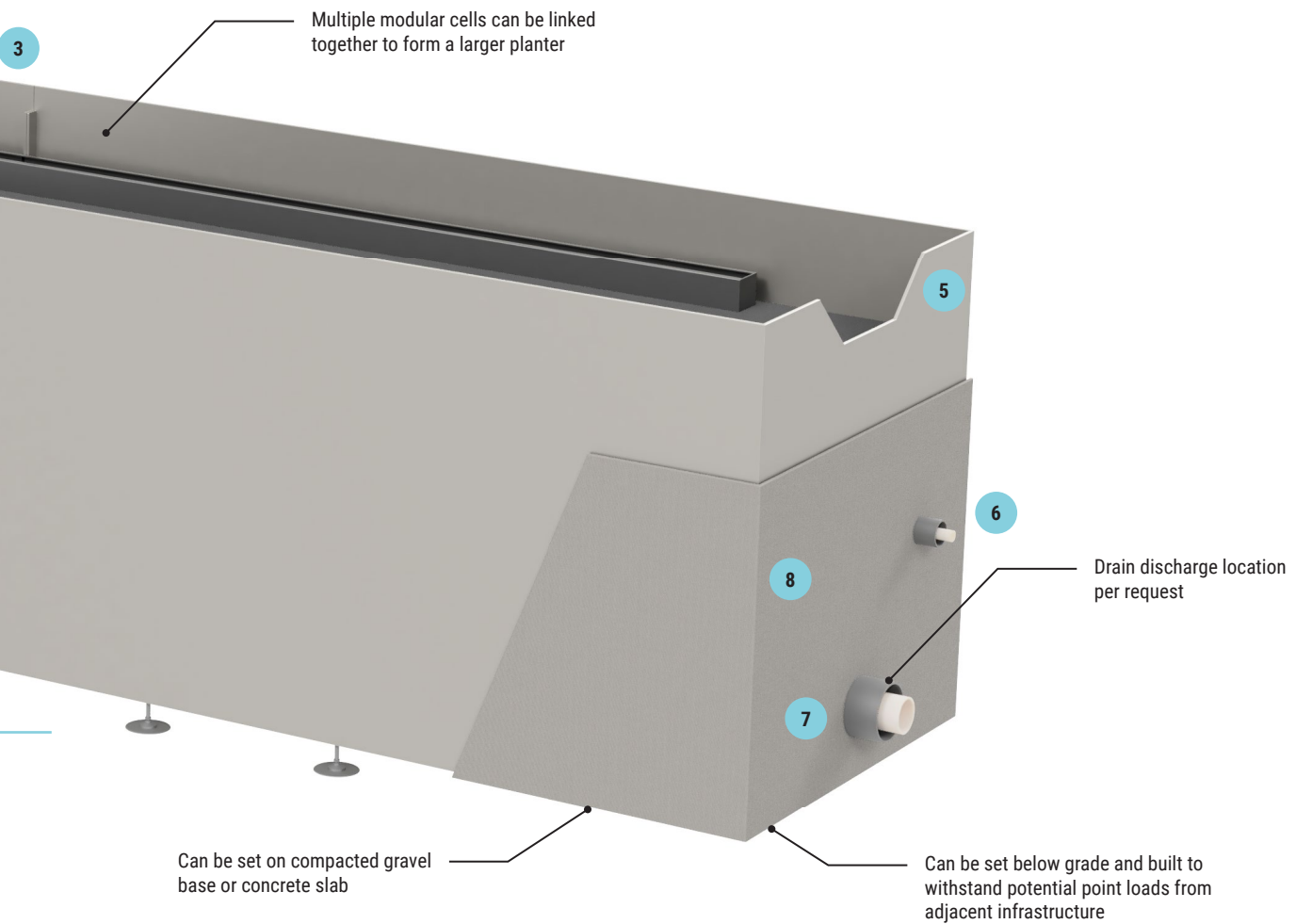


Mixed-use building / Seattle, WA



Recuro Bioretention Planter

- | | | |
|--|--|--|
| <ul style="list-style-type: none"> 1. Powder coated aluminum or weathering steel .125"-.375"+ thick. 2. All joints formed or welded and ground smooth. 3. Watertight gasket with connection hardware. 4. Level spreader for larger discharge areas. 5. Overflow weir or other decorative options. | <ul style="list-style-type: none"> 6. Irrigation or conduit ports with removable watertight gasket. 7. Drain discharge port with removable watertight gasket. 8. Geosynthetic fabric for drainage and coating protection. 9. Leveling feet rated up to 5000 lbs. each. | <ul style="list-style-type: none"> 10. Mulch, filter media 11. Slotted underdrain 12. Splashblock, or overflow / catch basin. 13. Pickpoint for hoists |
|--|--|--|



Notes:

- Engineering services available for structural or civil needs.
- Available in infiltrating or non infiltrating models.
- Certified by the Washington State Department of Ecology as a functional equivalent technology.
- Available as individual cells or as complete packages for turnkey installation.

and aggregate.
 n and components.
 optional presettling device
 ting.

Noninfiltrating



Available in sizes up to L 12' x W 8' - height as required

Infiltrating



Available in sizes up to L 12' x W 8' - height as required

Modular Noninfiltrating



Sections up to W 8' bolted together for countless size and shape combinations for larger single cells

Modular Infiltrating



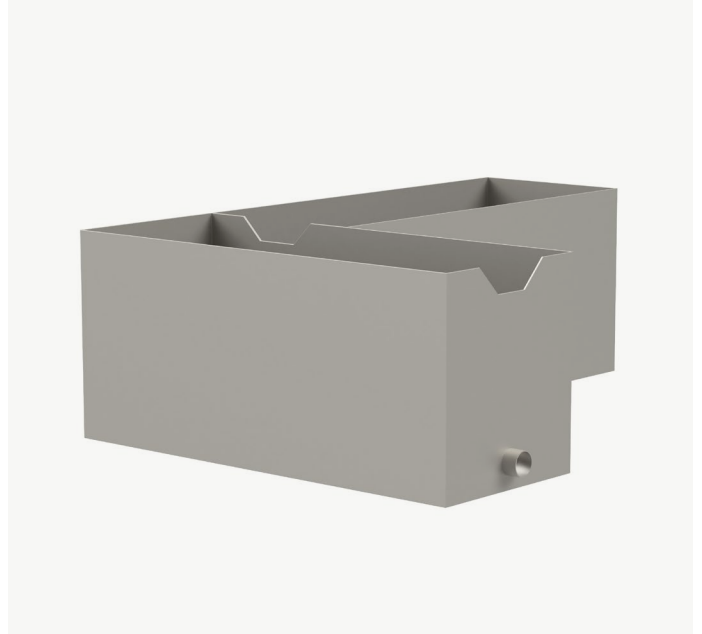
Sections up to W 8' bolted together for countless size and shape combinations for larger single cells

Curved



Organic or curvilinear shapes to match design ideas

Custom



Fully customizable linked, flow through cells or in combination with swale or liner applications

Forma Modular Planters & Planter Walls

With a simple and straightforward design and installation process, these modular planters and planter walls are ideal for on-grade and on-structure applications such as roof gardens, amenity decks, green roofs, and edge restraints for low-profile planting areas. All Forma products can be adapted to work with other custom landscape elements or site furnishings.

Standard Components

Modular planters and walls are 6" – 48"+ tall and 4' – 12' long, available in straight, curved, and angled configurations. Walls include bottom flange to distribute weight and hold wall in place with weight of soil. Multiple products can be fastened together for extended lengths with a nearly seamless appearance.

Versatile

Forma's design and construction allow for a variety of uses and site locations. Available with adjustable tiebacks and structural bracing.

Customizable

Forma's modular design and metal construction enables it to be customized to fit your specific space constraints and visual aesthetic. Available options include seating, site amenities and other Architerra standard options.

Simple to Install

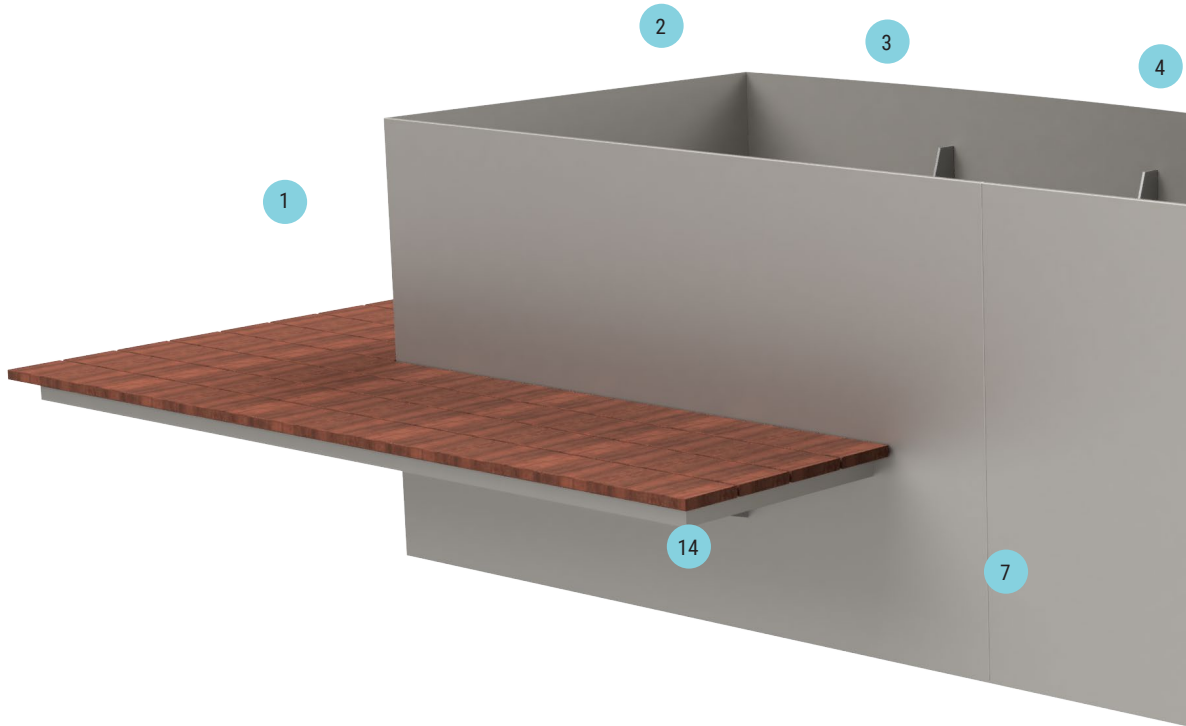
No fabrication needed on site. All necessary hardware, bracing, and accessories are included. The design allows for quick and seamless installations on structure and grade without needing anchors.



Club Monaco / Seattle, WA

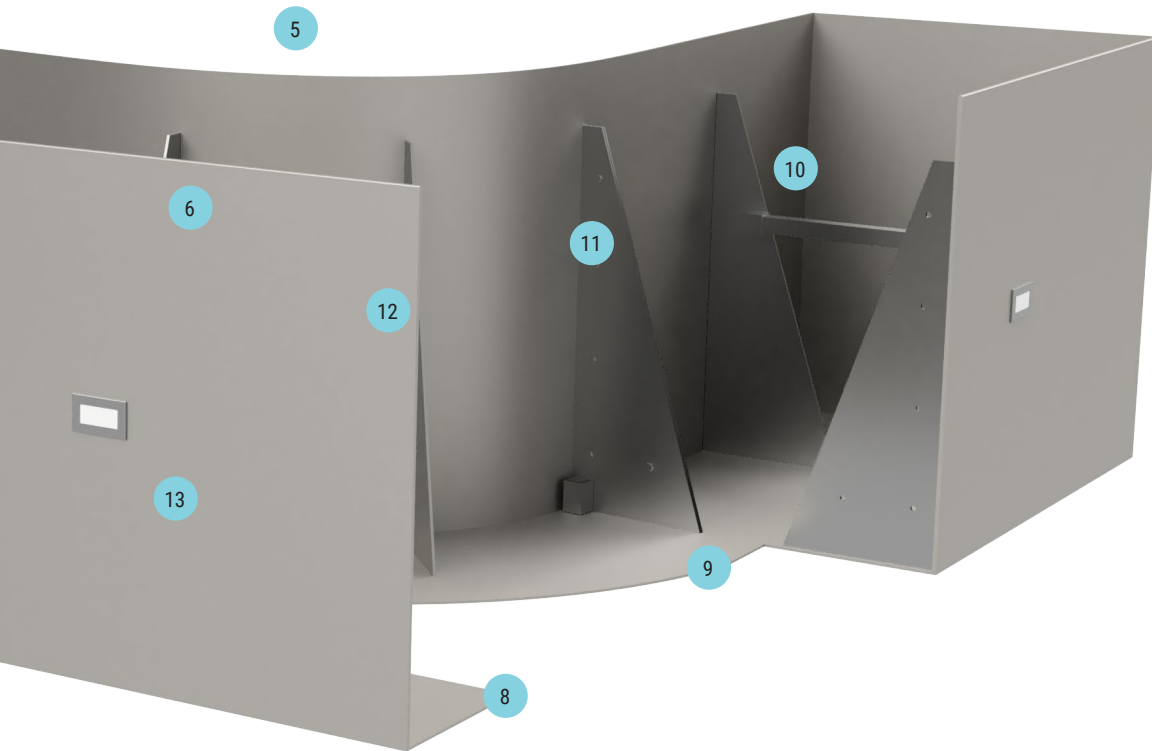


Residence / Bellevue, WA



Forma Modular Wall

1. Powder coated aluminum, mild or weathering steel .125"-.375"+ thick.
2. All joints formed or welded and ground smooth.
3. Standard lengths 4',6',8',10' and custom lengths up to 20'.
4. Available in straight, angled, or curved shapes.
5. Freestanding up to 36" (style dependent) and with tiebacks up to 48"+ height.
6. Top available in straight side or with flange.
7. Joints available in fitted, offset spacing with visible connecting bolts, and connecting lip.
8. Optional leveling feet.
9. Structural bracing to secure wall and to meet guardrail rating as required.
10. Adjustable tiebacks for simple field adjustments.
11. Sections easily align with mating flange.
12. Wood cladding available.
13. Integral wall wash and lighting available.
14. Mounting brackets for posts, counters, etc.



gn and bolt together with

nd custom cut design available.

nes, step lights, or hidden strip

s to add seating elements, light
tc. to wall modules.

Notes:

- Engineering services available for structural or civil needs.
- Can be set on grade, on structure, geo foam, pavers, or paved surfaces.
- Many scenarios do not require mounting to a structure or surface.
- High performance low voc coatings available.

Straight



Wall sections up to L 10' - height as required

Curved



Organic or curvilinear wall sections to match design ideas

Angled



Corner and geometric wall sections up to L 10' - height as required

Straight



Sections up to L 12' x W 8' bolted together for countless size and shape combinations

Curved



Fully customizable shapes to match design ideas.

Angled



Angled and geometric sections up to L 12' x W 8' bolted together for countless size and shape combinations

Planters

Metal planters help define and enhance your space. They're useful for highlighting entryways, acting as spatial divisions or guardrails, or just adding a pop of color. Available in multiple sizes to support any use — from residential to large scale commercial or streetscape use.



Club Monaco / Seattle, WA

Square



Sizes:

- L 18" W 18" H 18"
- L 24" W 24" H 24"
- L 30" W 30" H 30"
- L 36" W 36" H 36"
- L 36" W 36" H 24"
- L 36" W 36" H 32"
- L 42" W 42" H 42"
- L 48" W 48" H 36"

Cylinder



Sizes:

- D 18" H 20"
- D 24" H 20"
- D 32" H 28"

Tapered Cylinder



Sizes:

- D 24" H 24"
- D 32" H 32"
- D 40" H 42"

Tall Cylinder



Sizes:

- D 16" H 32"
- D 18" H 36"
- D 20" H 40"

Column



Sizes:

- L 12" W 12" H 24"
- L 12" W 12" H 30"
- L 12" W 12" H 36"
- L 15" W 15" H 30"
- L 17" W 17" H 36"

Curved



Sizes:

- L 48" W 15" H 18"
- L 56" W 18" H 18"
- L 72" W 22" H 22"

Ring



Sizes:

- L 24" W 24" H 24"
- L 30" W 30" H 30"
- L 40" W 24" H 24"
- L 48" W 24" H 24"

Rectangle



Sizes:

- L 48" W 20" H 14"
- L 48" W 24" H 36"
- L 48" W 24" H 24"
- L 60" W 26" H 14"
- L 60" W 30" H 36"
- L 60" W 40" H 36"

Large Rectangle



Sizes:

- L 72" W 24" H 42"
- L 72" W 32" H 48"
- L 84" W 24" H 30"
- L 96" W 32" H 36"
- L 96" W 32" H 32"

Narrow Rectangle



Sizes:

- L 30" W 16" H 24"
- L 40" W 16" H 18"
- L 40" W 12" H 18"

Lattice Box



Sizes:

- L 24" W 24" H 24"
- L 30" W 30" H 30"
- L 40" W 24" H 24"
- L 48" W 24" H 24"

Rustic Box



Sizes:

- L 24" W 24" H 24"
- L 30" W 30" H 30"
- L 40" W 24" H 24"
- L 48" W 24" H 24"

Corner



Sizes:

- L 24" W 24" H 30"
- L 28" W 28" H 24"
- L 36" W 36" H 24"
- L 48" W 48" H 36"

Taper



Sizes:

- L 12" W 12" H 30"
- L 15" W 15" H 30"
- L 17" W 17" H 36"

Rounded Taper



Sizes:

- L 12" W 12" H 30"
- L 15" W 15" H 30"
- L 17" W 17" H 36"

Ellipse



Sizes:

- L 40" W 20" H 24"
- L 48" W 24" H 24"
- L 60" W 30" H 30"



Alderbrook Resort / Union, WA

Water Features

Whether it's a small entry piece or a larger feature designed to be the focal point of your courtyard, nothing brings a space to life like a water feature. Available in multiple designs and sizes.



Summit Pacific Medical Center / Elma, WA

Arch



Sizes:

- L 60" W 60" H 84"
- L 72" W 72" H 96"

Wall



Sizes:

- L 48" W 12" H 72"
- L 72" W 24" H 96"
- L 96" W 24" H 96"

Basin



Sizes:

- L 60" W 24" H 18"
- L 72" W 24" H 20"
- L 96" W 30" H 22"
- L 120" W 30" H 24"

Bubbler



Sizes:

- D 24" H 12"
- D 30" H 18"

Decorative Screens

Simple additions that can serve a multitude of purposes. Useful for decorative privacy, providing a structure for plants to grow on, or just adding a little interest and character to your space.

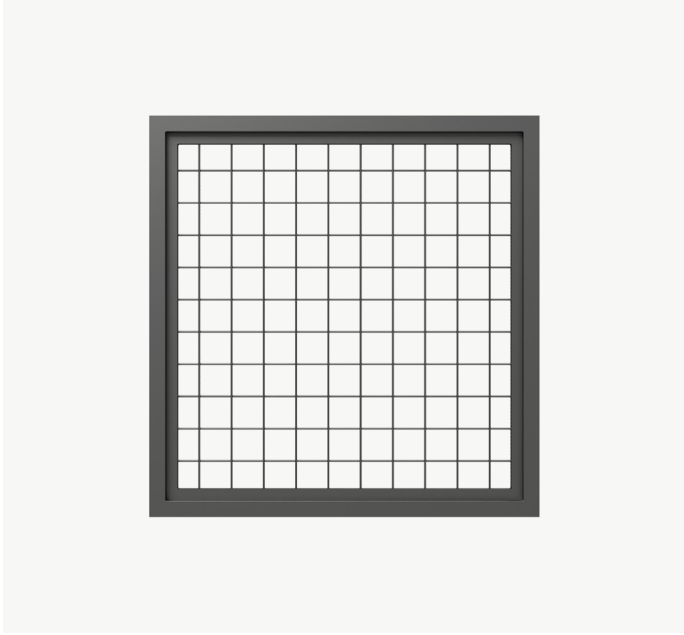


Residence / Seattle, WA

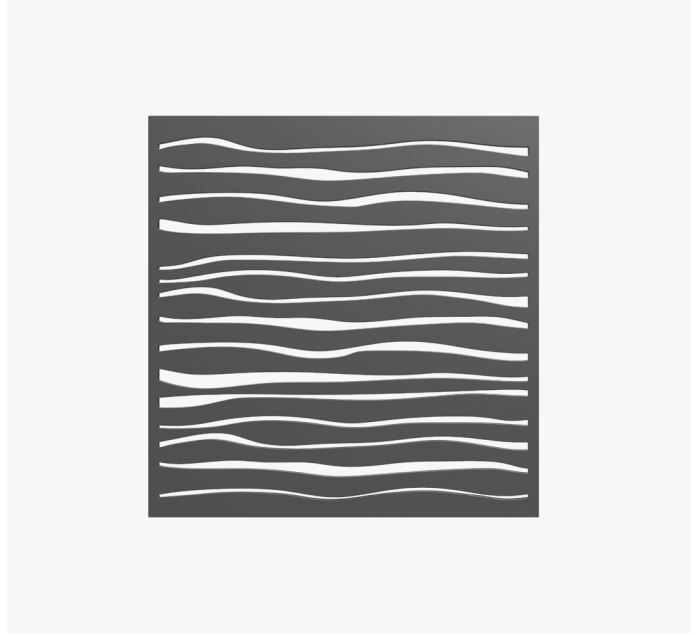
Screens Available In:

Standard sizes and modular sections can be mounted to planters, walls, or freestanding on the ground. Standard sizes 40" x 40", up to 60" wide and 120" long, size or modular sections can be sized to match the dimensions of planters.

Mesh



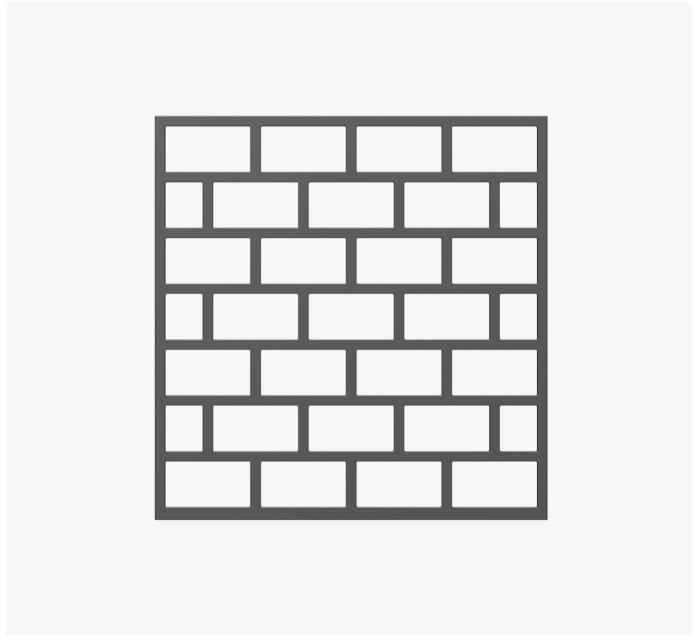
Wave



Weave



Offset



Features & Options

Customization without reinventing the wheel — a selection of proven solutions to common (and some not-so-common) landscape needs.

For All Products

Leveling Feet

Easily adjustable leveling feet in several heights and weight capacities.

- Standard 0-3" 200 lbs.
- Heavy Duty 0-3"
- Custom 0-5" 5000 lbs. +

Utility Sleeve

1" I.D. sleeve to feed irrigation piping, electrical, speaker wire, etc. Designed to be hidden from view while remaining easily accessible.

Lighting

- Integral wall wash/step lighting with integral block outs
- LED face light
- LED toe kick light

For Planters

Drain Fittings

Welded fittings designed to divert drain runoff to avoid staining on adjacent surfaces.

Casters

Heavy Duty casters to add mobility to your planters

- Standard swivel
- Locking swivel

Drip Tray

Tray that prevents drainage from leaking onto (and potentially staining) adjacent hard surfaces. Designed to match the style and color of your planter.

Irrigation Reservoir

Integral reservoir to enable planters to be self-irrigating — perfect for when external irrigation is either impractical or not desired for design purposes.

Plant Anchor Tie Off

Integral tie off points to allow the attachment of stabilizing cables for root balls, or guy wires for larger plants and trees.

Custom Cut Design Elements

Custom design options for adding your logo, address, or other unique design elements.

For Water Features

Pump

Specifically matched for individual features and sizes for optimal flows and controls.

- Submersible
- Centrifugal

Debris Filter

Mesh screen filter to keep dirt and debris out and prevent blockages. Fully removable and easily maintained.

Autofill

To automatically add water when needed.

- Mechanical
- Electronic float control

Plastic Grate

Rigid grating with standard 1" openings that can be safely covered with decorative rock. Especially useful for creating a false bottom to conceal pumps and components.

Scupper Spouts

Available in a variety of styles for varying visual and sound effects.

Custom Cut Design Elements

Custom design options for adding your logo, address, or other unique design elements.

For Bioretention Planters

Drain Port Gasket

Removable gasket assembly for drain lines and irrigation. Available in custom sizes.

Scupper/Spout

Available in a variety of styles for different design effects and functional uses.

Weir / Overflow Options

Simple or adjustable weir and overflow options to meet regulations but with different design options.

Level Spreader / Runnel

Decorative options for conveying and distributing water over longer distances, between cells, or as overflows. An easily customized element unique to aluminum or steel bioretention planters, this feature greatly reduces the need for additional downspouts or bioretention planters.

Splash Block

An open-bottomed box designed to slow water coming into your bioretention planter via a layer of decorative rock or grating. A well-designed way to avoid scouring and meet bioretention requirements.

Modular Component Package

Everything you'll need to connect modular bioretention planters, scuppers, and runnels. Includes all necessary hardware and a waterproof gasket.

Drainage Components

Project-specific drainage fittings, piping, overflow grates, etc. shipped in a single package for easy installation.

Custom Cut Design Elements

Custom design options for adding your logo, address, or other unique design elements.

Features and Options

For Modular Planters

Structural Bracing

Installable anchors to secure planter or wall module to a building or structure

Guardrail Rating

Structural bracing and mounts to enable planter or wall modules to meet code requirements for use as a guardrail.

Cladding

- Thermally modified wood
- Reclaimed wood

Site Furnishing Mount

Mounting brackets to add seating elements, light posts, counters, and more, to planter wall modules.

For Decorative Screens

Guardrail Rating

Structural bracing and mounts to enable planter or wall modules to meet code requirements for use as a guardrail.

Mounting

- Planter Mounted
- Horizontal Surface
- Vertical Structure
- In grade post

Custom Cut Design Elements

Custom design options for adding your own design or other unique design elements.

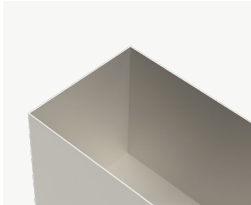
Design Styles

Design options for customizing your planter, biplanters, and water features.

Top

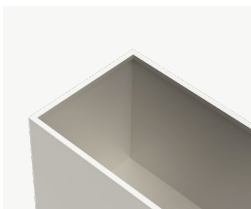
Straight Sides

Simple and clean top with hidden bracing and thicker side material. Minimal thickness .190".



Top Flange

1-2" wide double flange at top to create 'wider' look and add structural rigidity. Typically allows for standard .125" thick material on planters and other products.



Bottom

Standard

Simple corners where planter sits on the ground. Planter is placed on cushions to facilitate drainage and prevent scratching of planter and surrounding surface.



Inset

Planter bottom is inset 2"- 4" from outside edge to create a hovering effect.



Legs

Available on smaller planters, 'legs' at short ends of planter allow for open space under planter.



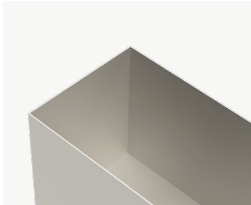
Design Styles

Design options for customizing your modular wall or planter

Top

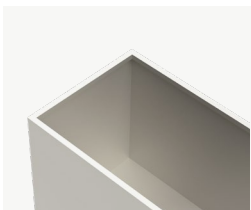
Straight Sides

Simple and clean top with hidden bracing and thicker side material. Minimal thickness .190".



Top Flange

1-2" wide double flange at top to create 'wider' look and add structural rigidity. Typically allows for standard .125" thick material on planters and other products.



Joints

Fitted

A joint or corner where connection hardware and bolts are hidden to create a clean, seamless connection.



Visible Connecting Bolts

A variable joint with slight separation and visible connection hardware to add a little character to your planter or wall modules.



Connecting Lip

Overlapping plates for hiding connecting seams between planter or wall modules.



Functional Styles

Functional options for customizing your modular wall or planter.

Walls

Freestanding Wall

Standard Planter walls 6"-36"+ height. Walls include bottom flange to distribute weight and hold wall in place with weight of soil.



Freestanding Wall with Tieback

Allows for taller heights and soil profile as required for structural engineering/integrity. Tiebacks can be to building structure or other Forma components for structural rigidity.



Planter Bottoms

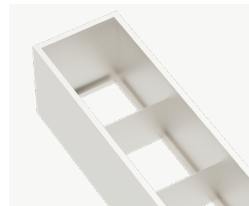
Closed

Modular planters designed to sit on roof protection, foam, leveling feet, or a solid base. Function similar to our standard planters but larger scale.



Open

Modular planters with open bottoms. Designed to sit on grade or part of intensive planting soil profile.



Material, Color Options, & Finishes

All planters and decorative screens are available in aluminum, mild steel, and corten steel. Water features and bioplanters are available in aluminum and corten steel only for durability.

Material

Standard

- 5052-H32 Grade Aluminum .125" thick
- A36 Mild Steel .125" thick (11 gauge)
- A606 Steel .125" thick (11 gauge)

Optional

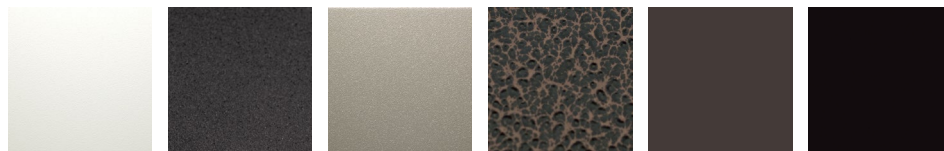
- Material available up to .500" thick

Patinas



Natural Rust

Standard Powder Coatings



White

Graphite

Light Gray

Hammered Copper

Dark Bronze

Black

Optional Powder Coatings

We use the RAL color range. All of Powder Coatings are polyester based TGIC free. Many are super durable.

Custom Coatings

We use a variety of high performance architectural coatings. We can also do custom paint or coatings to meet your project requirements.

How to Order

Quick and simple order process. Contact a sales representative or submit the required information and we will provide a quote within 1-2 business days.

Standard Catalog Item

- Item
- Size
- Material
- Finish
- Quantity
- Options
- Delivery address

Custom Items

- Type of product
- Dimensions or design layout
- Material
- Finish
- Options
- Delivery address

Forma Products

- Dimensions or design layout
- Design styles
- Material
- Finish
- Options
- Delivery address

Reuro Products

- Item
- Dimension
- Please provide any site specific design requirements
- Placement
- Material
- Finish
- Options
- Delivery address

Shipping and Services

Have a unique challenge? Our design team is happy to collaborate directly with architects and engineers, providing detailed CAD and BIM drawings that seamlessly integrate with building and site plans. We also have certified welders and capacities for large orders, and can offer custom engineering on projects as requested.

Services

- Training
- Lunch and Learn opportunities
- Technical and engineering guidance
- Design recommendations
- Custom Recuro layout plans and details
- Analysis and recommendations of Designer's Recuro plans and details

Shipping

- We ship throughout North America. We work with several national trucking companies and freight brokers to get the most competitive rate for LTL or full truck loads. Our products shipped boxed or crated and palletized. Special delivery options are available.



Architerra

6105 192nd St. NE, #2
Arlington, WA 98223

360.502.6344
info@architerradesigns.com

architerradesigns.com

About Architerra

Architerra started out as a landscape architecture and installation company. During our initial years we often had a hard time finding edging, planters, and other features that met the bar for quality. So we started crafting our own, leveraging our planning and installation experience to produce elements that were not only beautiful, but also solved common problems for architects and installers.

The products we design and craft today are the products we'd want to use and install.

Our current offerings include planters, water features, modular steel edging and retaining systems, furniture, and other custom site features. Have a unique challenge? Our design team is happy to collaborate directly with architects and engineers, providing detailed CAD drawings that seamlessly integrate with building and site plans. We provide local delivery to the Pacific northwest. We ship throughout the US and Canada.

